

MAL900 series

AIR UNITS (L.UNIT)

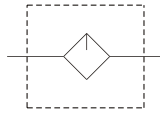


- MAL900 is useful to lubricate air tools, cylinders, valves, air motors and other air driven devices.

Specification:

Model	MAL900
Bore No.	40A
Port size	PT 1 1/2
Medium	Air
Operating pressure range	0~17.5 kgf/cm ² (0~1.75 MPa)
Ambient temperature	0~+80°C (No freezing)
Lubricating oil capacity	1000 c.c
Min. Flow for oil drip	213 ℓ/min
Recommended lubricating oil	Turbine oil ISO-VG32
Standard nominal flow rate(※)	12000 ℓ/min
Weight	1766 g

Symbol:



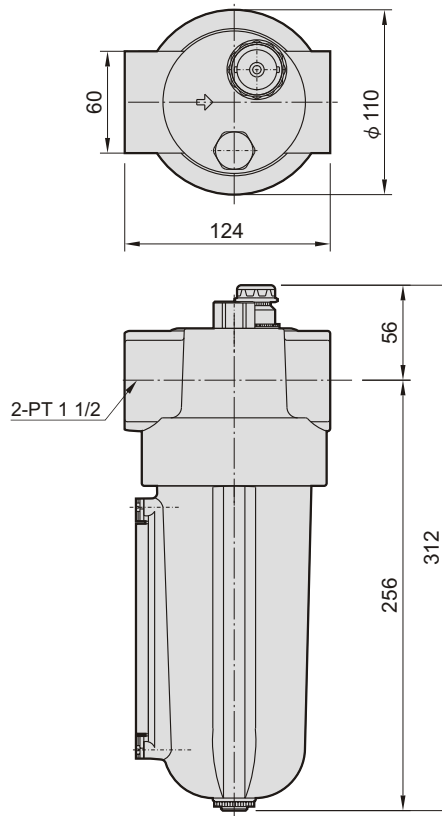
Order example:

MAL900 — **40A** — **BSP**

MODEL

BORE SIZE
40A: PT 1 1/2

PORT THREAD
Blank: PT thread
BSP: BSP thread
NPT: NPT thread



※ Flow is at pressure P=6kgf/cm² with pressure drop $\Delta P=1$ kgf/cm².